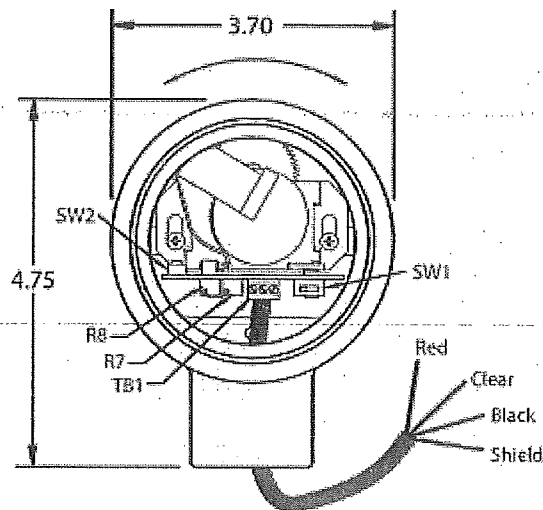


Programming the SG1000A quick method: 0 -10 VDC option

Once you have mounted the unit and are ready to set-up or program.

1. Open cover and push the button SW2 on the upper left and hold it while someone else turns on the power +24VDC. Let go of the button now it reads about 50% or 12 mA. If you have new logic boards ordered after 6/13/2016 you may just hold SW2 for 6 seconds and it will reset to 12 mA 50% automatically now.
2. Then have them close the gate, now you push the button SW2 for one second, this time nothing changes, that's good. Remember to let go of the button.
3. Now open the gate and depress the button for one second then let go and you will read 100% or 20 mA.
4. If it reads 100% or 20 mA and jumps quickly to 0% or 4 mA while closing you have the direction switch SW1 in the wrong direction, CW, CCW. Flip it with your fingernail or a small screw driver and start from the top step one, it should drop smoothly. Now you are done screw on cover.

Note: Land wires on Red TB1-1 (+) Clear TB1-2 (SIG) Black TB1-3 (-)



Technical Support
ESI 1-800-328-6170

On the Fly Programming

The SG1000A may now be reset to program mode without turning the power off. Simply just hold the enter switch for more than 6 seconds and it is in program mode. From 6/13/2016 order # C000194400 forward there is no more need to turn the power off and holding the enter button during power up. You can verify this because the SG1000 will put out 12 mA, 50% on display or PLC screen.